

RF Characteristics



Frequency GHz	VSWR (max)	Isolation dB (min)	Ins. Loss dB (max)
0-1	1.15	85	0.15
1-2	1.20	80	0.20
2-4	1.25	70	0.25
4-8	1.45	60	0.40
8-12.4	1.50	60	0.50

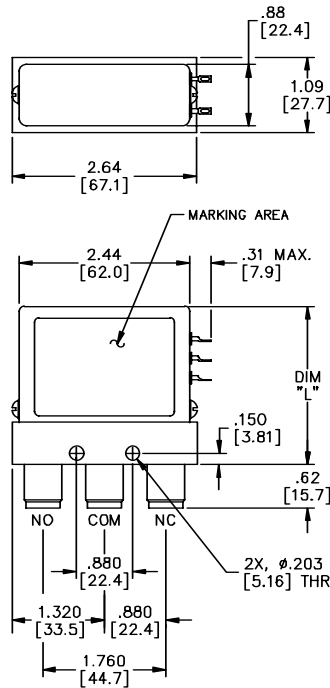
Note: RF characteristics for Type N & TNC female connectors, consult Dow-Key for other connector configurations

402 Series SPDT Failsafe with TTL & Indicator Option, N

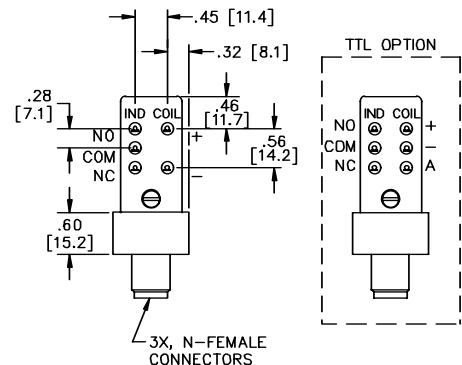
Mechanical

Specifications

- Operating Voltage:** (across temperature range)
 - 12 Vdc (11-14 Vdc)
 - 28 Vdc (24-32 Vdc)
- Coil Current (max @ nom.Vdc & 20°C):**
 - 12 Vdc 275 mA
 - 28 Vdc 115 mA
- Switching Time:** 20 mS maximum
- Operating Temperature:**
 - 25°C to +65°C (Standard)
 - 55°C to +85°C (Extended "T" Option)
- Mechanical Life, Cycles:** 1,000,000 minimum
- Vibration, Operating:** 10G RMS, 20-2000 Hz
- Mechanical Shock, Non-Operating:** 50G, 1/2 Sine, 11mS
- Nominal Weight:** 9.0 oz., (260g.)



DIM "L" (MAX)	MODEL	ELEC. SCHEM.
2.30[58.4]	402-2X01	1
2.30[58.4]	402-2X0132	1
2.30[58.4]	402-2X0102A	2
2.30[58.4]	402-2X0132A	2



402-2X0132 Shown

Part Number Selection

For Electrical Schematic see page # 1-8

