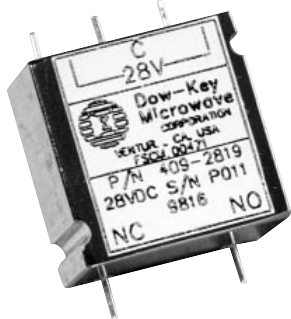


**RF Characteristics**



Frequency GHz	VSWR (max)	Isolation dB (min)	Ins. Loss dB (max)	RF Power Watts (CW)
DC-1	1.10	80	0.10	80
1-2	1.15	75	0.15	75
2-3	1.20	70	0.30	70

Note: Higher frequency performance available, consult factory.

409 Series SPDT Failsafe

**Specifications**

**Operating Voltage:**

(across temperature range)  
 12 Vdc (11-14 Vdc)  
 28 Vdc (24-32 Vdc)

**Coil Current (max @ nom.Vdc & 20°C):**

12 Vdc 130 mA  
 28 Vdc 55 mA

**Switching Time:**

20 mS maximum

**Operating Temperature:**

-30°C to +70°C (Standard)

**Mechanical Life, Cycles:**

1,000,000 minimum

**Vibration, Operating:**

10 G RMS, 20-2000 Hz

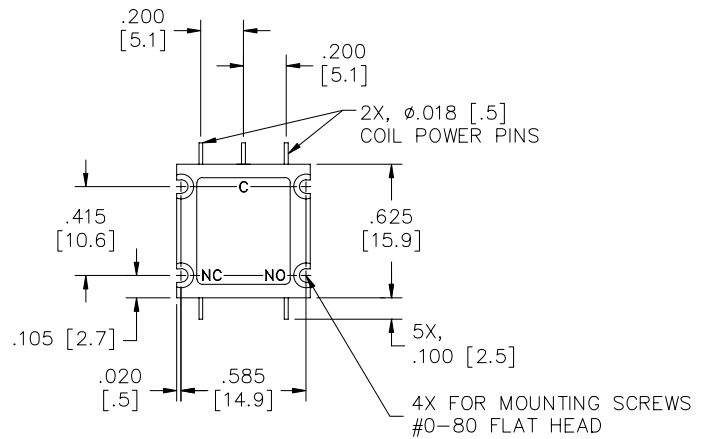
**Mechanical Shock, Non-Operating:**

50 G, 1/2 Sine, 11 mS

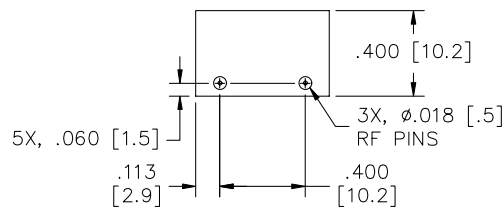
**Nominal Weight:**

.3 oz., (7.6g.)

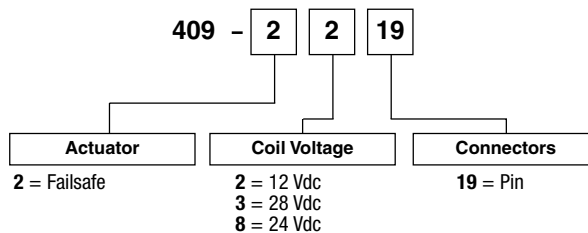
**Mechanical**



409-2X19 Shown



**Part Number Selection**



For Electrical Schematic see page # 4-7