

411FL-2308 Failsafe Transfer Bypass, SMA

Specifications

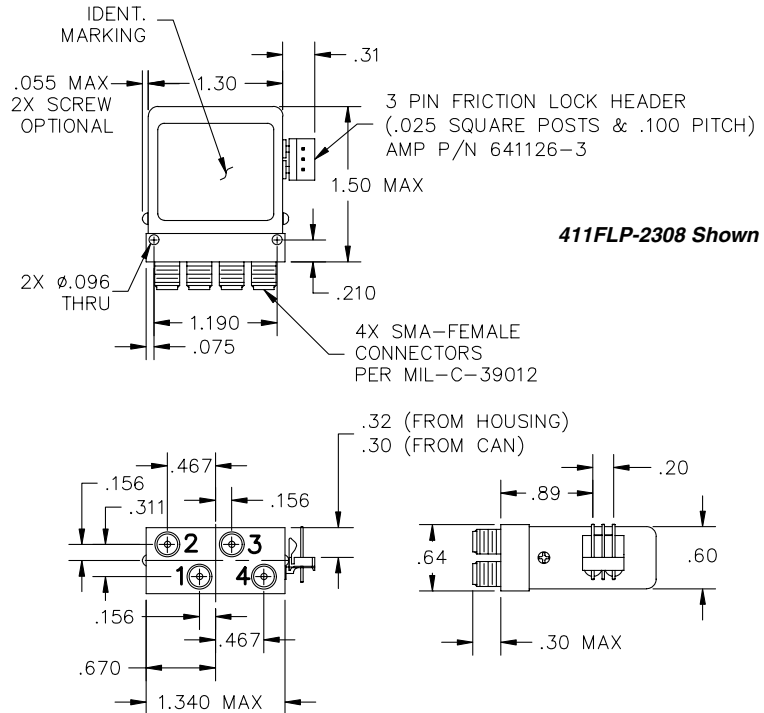
- Operating Voltage:**
(across temperature range)
28 Vdc (24-32 Vdc)
- Coil Current (max @ nom.Vdc & 20°C):**
28 Vdc 220mA
- Switching Time:**
15 mS maximum
- Operating Temperature:**
-25°C to +65°C
- Mechanical Life, Cycles:**
2,000,000 minimum
- Vibration, Operating:**
10G RMS, 20-2000 Hz
- Mechanical Shock, Non-Operating:**
50G, 1/2 Sine, 11mS
- Nominal Weight:**
1.6 oz., (46g.)

RF Characteristics

Frequency GHz	VSWR (max)	Isolation dB (min)	Ins. Loss dB (max)
DC-1	1.10	80	0.10
1-2	1.15	80	0.15
2-3	1.20	80	0.20
3-4	1.25	80	0.25

Note: Specify frequency range shown in "Special Options" under Part Number Selection

Mechanical



Part Number Selection

For Electrical Schematic see page # 4-7

