

521 Series SPDT Failsafe, SMA

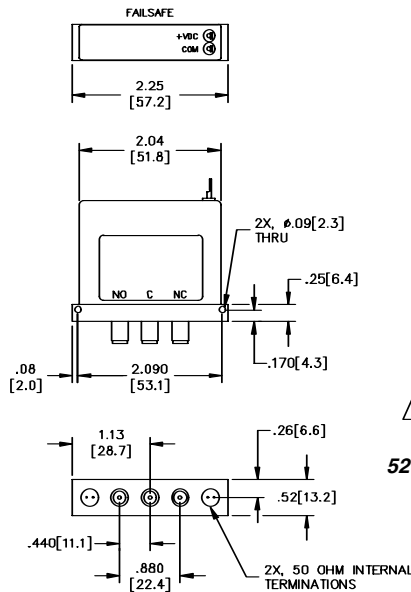
RF Characteristics

| Frequency GHz | VSWR (max) | Isolation dB (min) | Ins. Loss dB (max) |
|---------------|------------|--------------------|--------------------|
| DC-4          | 1.20       | 70                 | 0.20               |
| 4-8           | 1.30       | 65                 | 0.30               |
| 8-12          | 1.40       | 60                 | 0.40               |
| 12-18         | 1.50       | 60                 | 0.50               |
| *18-26.5      | 1.60       | 55                 | 0.70               |

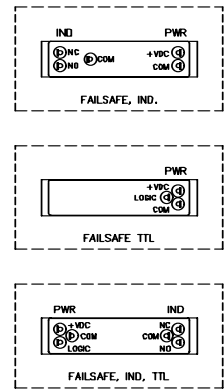
\* "K" option only

Specifications

- Operating Voltage:** (across temperature range)
  - 12 Vdc (11-14 Vdc)
  - 28 Vdc (24-32 Vdc)
- Coil Current (max @ nom.Vdc & 20°C):**
  - 12 Vdc 690 mA
  - 28 Vdc 295 mA
- Switching Time:** 20 mS maximum
- Operating Temperature:**
  - 25°C to +65°C (Standard)
  - 55°C to +85°C (Extended "T" Option)
- Mechanical Life, Cycles:** 1,000,000 minimum
- Vibration, Operating:** 10 G RMS, 20-2000 Hz
- Mechanical Shock, Non-Operating:** 50 G, 1/2 Sine, 11 mS
- Nominal Weight:** 3 oz., (85g.)



521-2X0803 Shown



| DIM "L" (MAX) | MODEL       | ELEC. SCHEM. |
|---------------|-------------|--------------|
| 1.28 [35.5]   | 521-2X08    | 1            |
| 1.53 [38.9]   | 521-2X0833  | 1            |
| 1.70 [43.2]   | 521-2X0803A | 2            |
| 1.70 [43.2]   | 521-2X0833A | 2            |

Part Number Selection

For Electrical Schematic see page # 1-11

