

521 Series SPDT Latching

SMA



C Commercial	M Military	A Avionics	S Space
------------------------	----------------------	----------------------	-------------------



RF Characteristics

Frequency GHz	VSWR (max)	Isolation dB (min)	Ins. Loss dB (max)
DC-4	1.20	70	0.20
4-8	1.30	65	0.30
8-12	1.40	60	0.40
12-18	1.50	60	0.50
*18-26.5	1.60	55	0.70

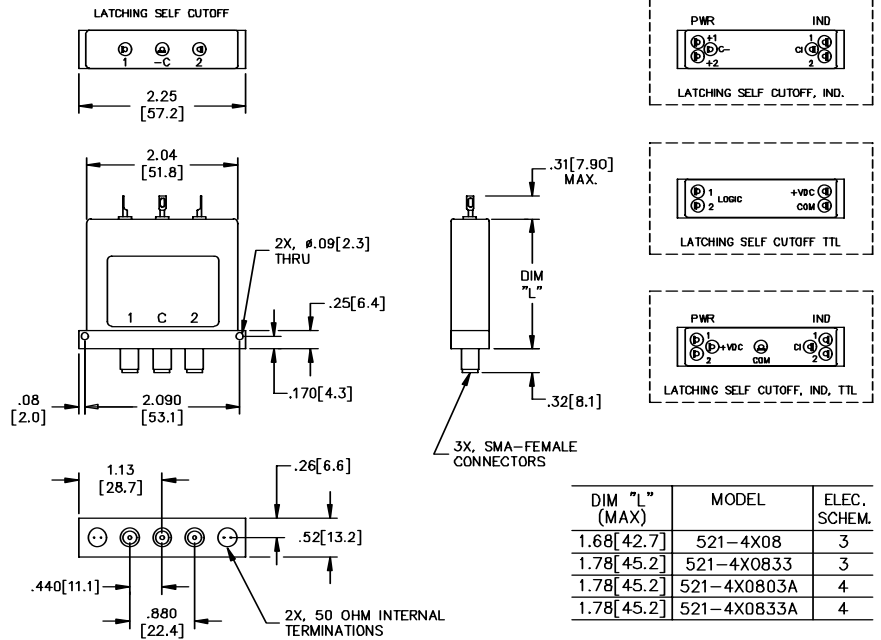
* "K" option only

521 Series SPDT Latching, SMA

Specifications

- Operating Voltage:** (across temperature range)
 - 12 Vdc (11-14 Vdc)
 - 28 Vdc (24-32 Vdc)
- Coil Current (max @ nom.Vdc & 20°C):**
 - 12 Vdc 450 mA
 - 28 Vdc 190 mA
- Switching Time:** 20 mS maximum
- Operating Temperature:**
 - 25°C to +65°C (Standard)
 - 55°C to +85°C (Extended "T" Option)
- Mechanical Life, Cycles:** 1,000,000 minimum
- Vibration, Operating:** 10 G RMS, 20-2000 Hz
- Mechanical Shock, Non-Operating:** 50 G, 1/2 Sine, 11 mS
- Nominal Weight:** 5 oz., (142g.)

Mechanical



521-4X0803 Shown

For Electrical Schematic see page # 1-11

Part Number Selection

