

RF Characteristics



Frequency GHz	VSWR (max)	Isolation dB (min)	Ins. Loss dB (max)
DC-4	1.25	70	0.30
4-8	1.35	65	0.40
8-12.4	1.40	55	0.70

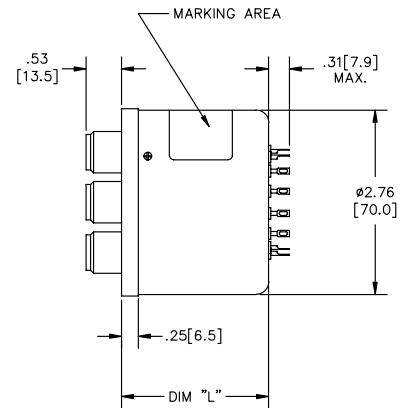
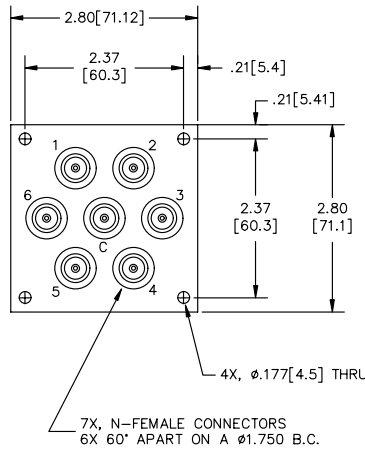
Note: RF Characteristics are for type N & TNC female connectors, consult Dow-Key for other connector configurations.

561 Latching Series, N

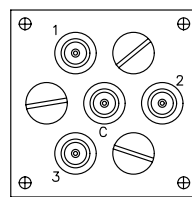
Specifications

- Operating Voltage:** (across temperature range)
12 Vdc (11-14 Vdc)
28 Vdc (24-32 Vdc)
- Coil Current (max @ nom.Vdc & 20°C):**
12 Vdc 550 mA
28 Vdc 240 mA
- Switching Time:**
20 mS maximum
- Operating Temperature:**
-25°C to +65°C (Standard)
-55°C to +85°C (Extended "T" Option)
- Mechanical Life, Cycles:**
1,000,000 minimum
- Vibration, Operating:**
10 G RMS, 20-2000 Hz
- Mechanical Shock, Non-Operating:**
50 G, 1/2 Sine, 11 mS
- Nominal Weight:**
22.0 oz., (624g.)

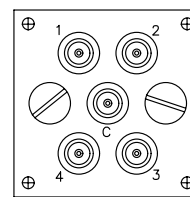
Mechanical



461-430122A Shown



3 POSITION

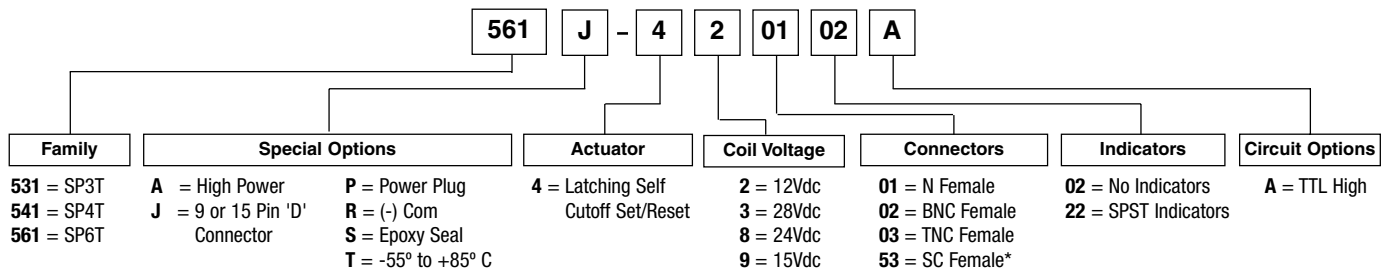


4 POSITION

DIM "L" (MAX)	MODEL	ELEC. SCHEM.
2.20 [55.9]	5X1-4X01	1
2.60 [66.0]	5X1-4X0122	1
2.72 [69.1]	5X1-4X0102A	2
2.91 [73.9]	5X1-4X0122A	2

For Electrical Schematic see page # 3-17

Part Number Selection



* 1" Connector Spacing Consult Dow-Key for dimensions