

RF Characteristics



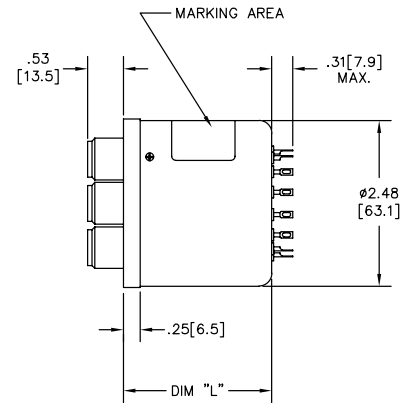
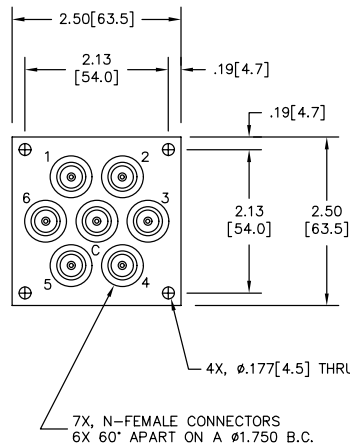
Frequency GHz	VSWR (max)	Isolation dB (min)	Ins. Loss dB (max)
DC-4	1.25	70	0.30
4-8	1.35	60	0.40
8-12.4	1.70	55	0.70

531-561 Series Normally Open, N

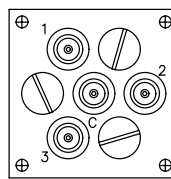
Specifications

- Operating Voltage:** (across temperature range)
12 Vdc (11-14 Vdc)
28 Vdc (24-32 Vdc)
- Coil Current (Nominal):**
12 Vdc 110 mA
28 Vdc 65 mA
- Switching Time:**
20 mS maximum
- Operating Temperature:**
-25°C to +65°C (Standard)
-55°C to +85°C (Extended "T" Option)
- Mechanical Life, Cycles:**
1,000,000 minimum
- Vibration, Operating:**
10G RMS, 20-2000 Hz
- Mechanical Shock, Non-Operating:**
50G, 1/2 Sine, 11mS
- Nominal Weight:**
17.0 oz., (482g.)

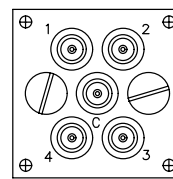
Mechanical



561-530122 Shown



3 POSITION

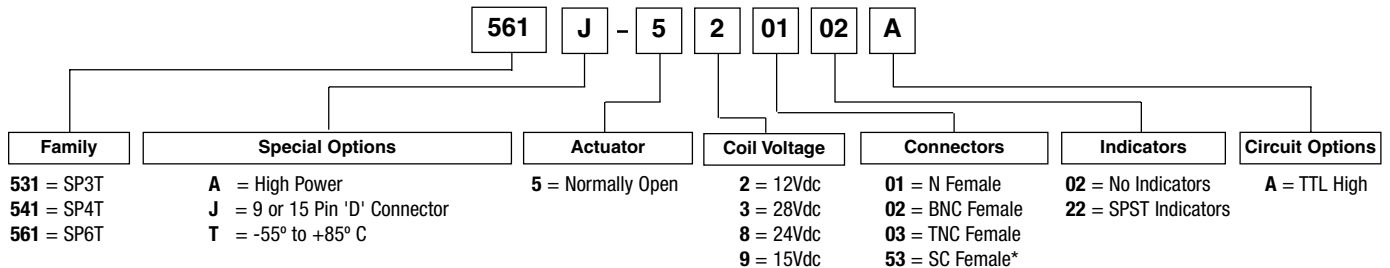


4 POSITION

DIM "L" (MAX)	MODEL	ELEC. SCHEM.
2.20 [55.9]	5X1-5X01	1
2.62 [66.5]	5X1-5X0122	1
2.57 [65.3]	5X1-5X0102A	2
2.90 [73.7]	5X1-5X0122A	2

For Electrical Schematic see page # 3-9

Part Number Selection



* 1" Connector Spacing Consult Dow-Key for dimensions