

581 Latching Terminated Series SMA

RF Characteristics

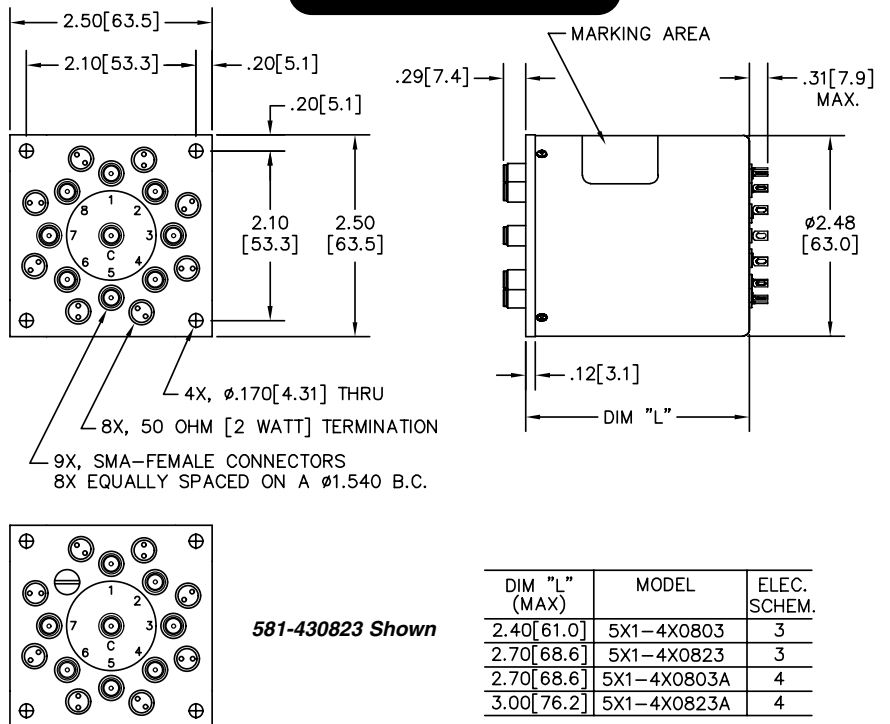
Frequency GHz	VSWR (max)	Isolation dB (min)	Ins. Loss dB (max)
DC-4	1.20	80	0.20
4-8	1.30	75	0.30
8-12.4	1.40	70	0.40
12.4-18	1.50	60	0.50
*18-22	1.60	60	0.60
*22-26	1.70	55	0.70

Note: RF power for the terminated port is limited by the termination.
* "K" option only

Specifications

- Operating Voltage:**
(across temperature range)
12 Vdc (11-14 Vdc)
28 Vdc (24-32 Vdc)
- Coil Current (max @ nom.Vdc & 20°C):**
12 Vdc 550 mA
28 Vdc 240 mA
- Switching Time:**
15 mS maximum
- Operating Temperature:**
-25°C to +65°C (Standard)
-55°C to +85°C (Extended "T" Option)
- Mechanical Life, Cycles:**
1,000,000 minimum
- Vibration, Operating:**
10 G RMS, 20-2000 Hz
- Mechanical Shock, Non-Operating:**
50 G, 1/2 Sine, 11 mS
- Nominal Weight:**
18 oz., (510g.)

Mechanical



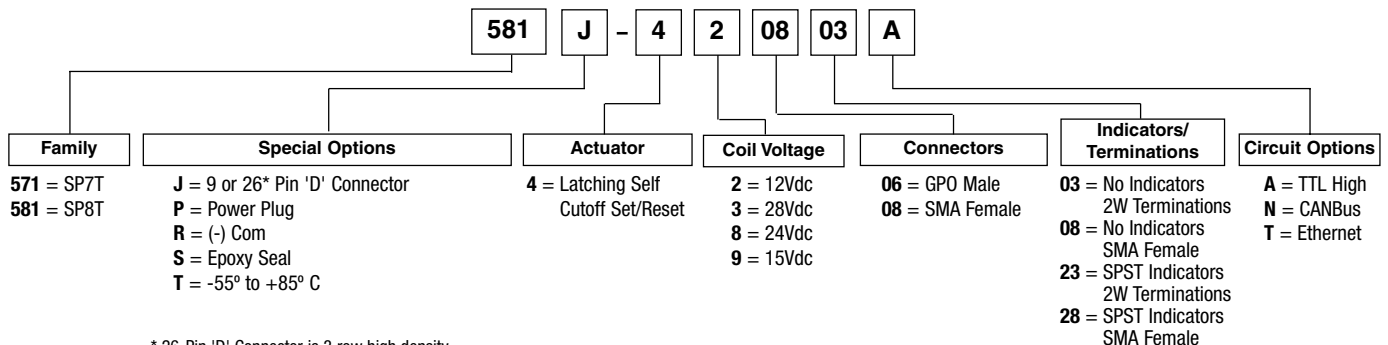
DIM "L" (MAX)	MODEL	ELEC. SCHEM.
2.40 [61.0]	5X1-4X0803	3
2.70 [68.6]	5X1-4X0823	3
2.70 [68.6]	5X1-4X0803A	4
3.00 [76.2]	5X1-4X0823A	4

581-430823 Shown

7 POSITION

Part Number Selection

For Electrical Schematic see page # 3-17



* 26-Pin 'D' Connector is 3 row high density