

30D01900 Waveguide Latching Transfer

Specifications

Operating Voltage:

(across temperature range)
28 Vdc (24-30 Vdc)

Coil Current (max @ nom. Vdc & 20°C):

28 Vdc (24-30 Vdc)

Switching Time:

150 mS maximum

Operating Temperature:

-54°C to +84°C

Mechanical Life, Cycles:

200,000 minimum

Duty:

Continuous Operation

Pressurized:

20 psig

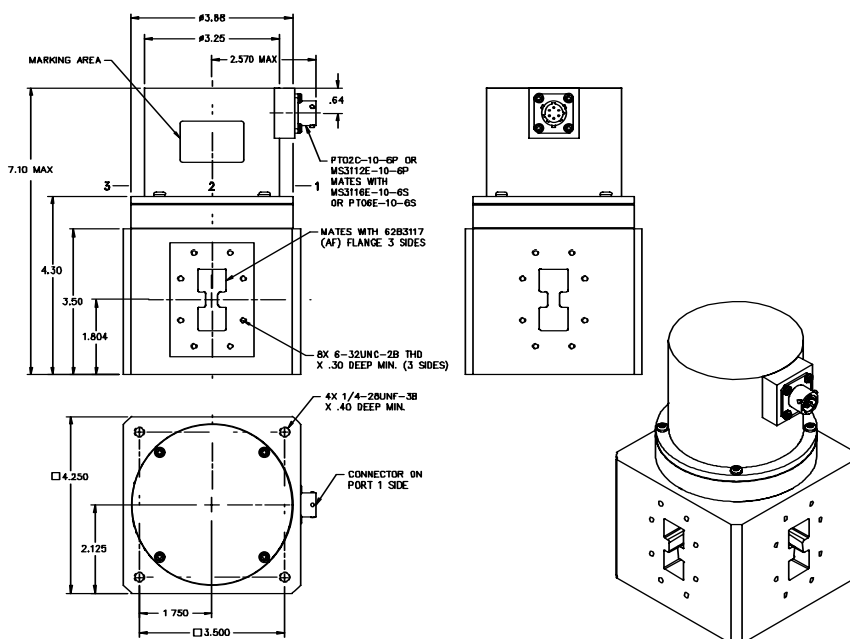
Max. Weight:

9 lbs

RF Characteristics

Frequency GHz	VSWR (max)	Isolation dB (min)	Ins. Loss dB (max)
3.5 - 8.2	1.20	40	0.20

Mechanical



For Electrical Schematic
see page # 5-5

Part Number Selection

Part Number	Part Description	Sch. Dia.
30D01900	Latching, Transfer, Ind. Ckt.	1
30D01400	Latching, SPDT, Ind. Ckt.	3
30C00500	Failsafe, SPDT, Ind. Ckt.	4