

RF Characteristics

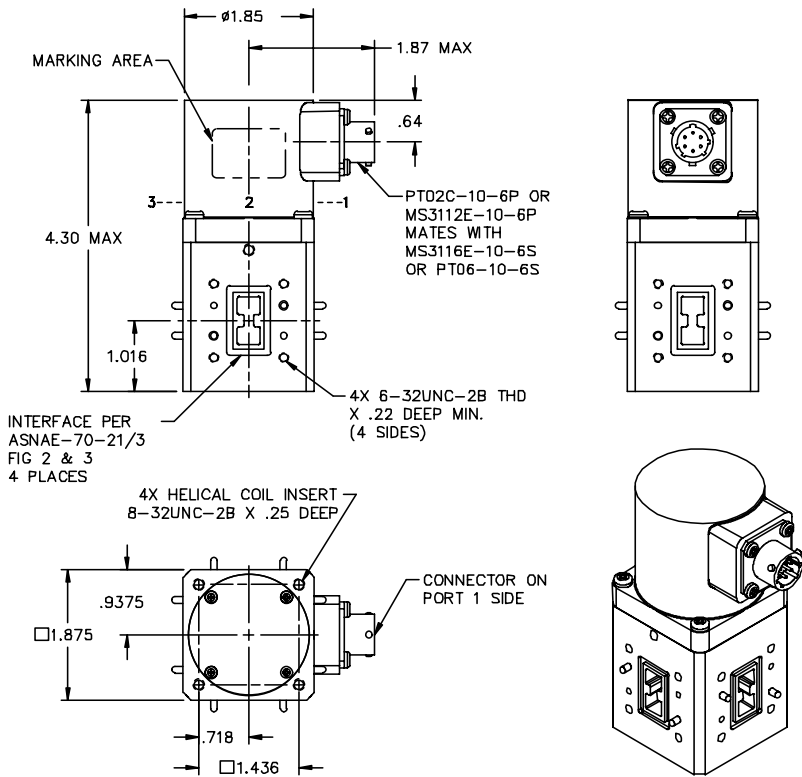
Frequency GHz	VSWR (max)	Isolation dB (min)	Ins. Loss dB (max)
7.5 - 17.5	1.25	60	0.25

Mechanical

30C01200 Waveguide Latching Transfer

Specifications

- Operating Voltage:**
(across temperature range)
28 Vdc (24-30 Vdc)
- Coil Current (max @ nom. Vdc & 20°C):**
28 Vdc (24-30 Vdc)
- Switching Time:**
100 mS maximum
- Operating Temperature:**
-54°C to +84°C
- Mechanical Life, Cycles:**
200,000 minimum
- Duty:**
Continuous Operation
- Pressurized:**
20 psig
- Max. Weight:**
1.3 lbs



For Electrical Schematic see page # 5-5

Part Number Selection

Part Number	Part Description	Sch. Dia.
30C01200	Latching, Transfer, Ind. Ckt.	1
30C01300	Latching, SPDT, Ind. Ckt.	3
30C02000	Failsafe, Transfer, Ind. Ckt.	2
30C02100	Failsafe, SPDT, Ind. Ckt.	4